

# Measuring *Manual*

- Enhance Accuracy • Boost Productivity
- Maximize Cutting Efficiency • Improve Safety
- Decrease Set-Up Time • Eliminate Waste

We specialize in high-precision length measuring gauges and turnkey automation solutions for the steel and aluminum industries. Take your operations to a whole new level by adding an automated measuring system to your current machine.

Manual to fully automatic systems available. Talk to our specialists to find the best solution for your needs.



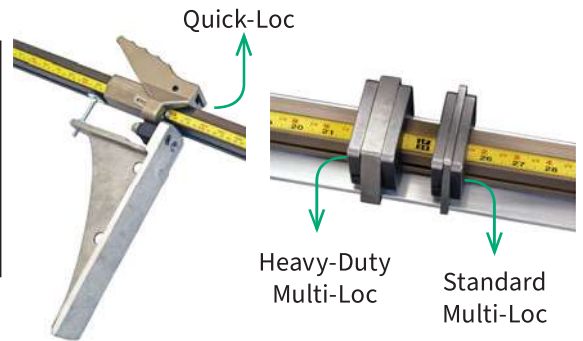
## Scotchman Measuring Devices

Manual Length Positioner .....	43
Digital Length Positioner.....	44
Semi-Automatic Stop/Pusher System .....	45
Fully Automatic Material Feed System.....	46
Quality Control Caliper Table .....	42

## Manual Length Positioners

Replace your tape measure with one of our Patented Loc-Stop Systems to increase accuracy and reduce set-up times. The teeth on the rail (1/16" increments) align together with the teeth on the stainless-steel stops to give you the exact measurement you set and are guaranteed not to slip.

Available in left-hand and right-hand models and adaptable to almost ANY type of machinery.



### Quick-Loc Stop System (AMS)

Simply squeeze the handle on the Quick-Loc System, slide it into position, and release it. Your measurement is set and will not slip.



**10" Extension**  
Available for Quick-Loc.



**Vertical Stop Block**  
Available for Multi-Loc.

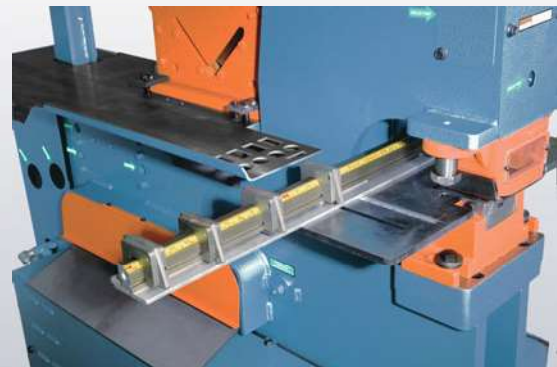


**Roller Conveyor**  
Available for Quick-Loc & Multi-Loc.  
5' & 10' Increments;  
up to 25 foot lengths.

### Multi-Loc Stop System (AMS)

This system makes setting your production runs faster. Simply press down the stainless-steel stops at various lengths along the rail so you're not changing the set-up each time. Multiple stops can be placed on the rail as close to 1" apart using the Standard Stops, and 1-1/2" apart using the Heavy Duty stops.

Three stops come standard with each Multi-Loc Stop System.



**Multi-Loc Stop System shown on a Scotchman Ironworker.**

MEASURING DEVICES

OPTIONAL

## Digital Length Positioner Digital Quick Stop

### Simple Go-To Stop

Turn your manual saw into a part cutting workhorse using this entry level digital length gauge that is easy to use and calibrate. The Digital Quick Stop is guaranteed to save time, reduce scrap, and eliminate costly mistakes. Simply key in the desired cut length and press go; the positioner then moves to that desired length. Place your material up against the fence and make your cut.



### FEATURES

- Positioner accuracy  $\pm 0.008"$
- FAST! 17 inches/second
- 7" Android tablet
- Works in inches, fractions, decimals, or metric
- Fraction keys work as the "go" key
- Unlimited preset keys & list storage
- Mounts left  $\rightarrow$  right OR right  $\rightarrow$  left (*must specify*)
- Available in 8' & 12' lengths
- One-year factory warranty
- Made in USA



MEASURING  
DEVICES



Scan QR code to watch  
this machine in action!

# Measuring *Semi-Auto*

## SEMI-AUTOMATED Stop/Pusher System

Programmable length stop or material pusher

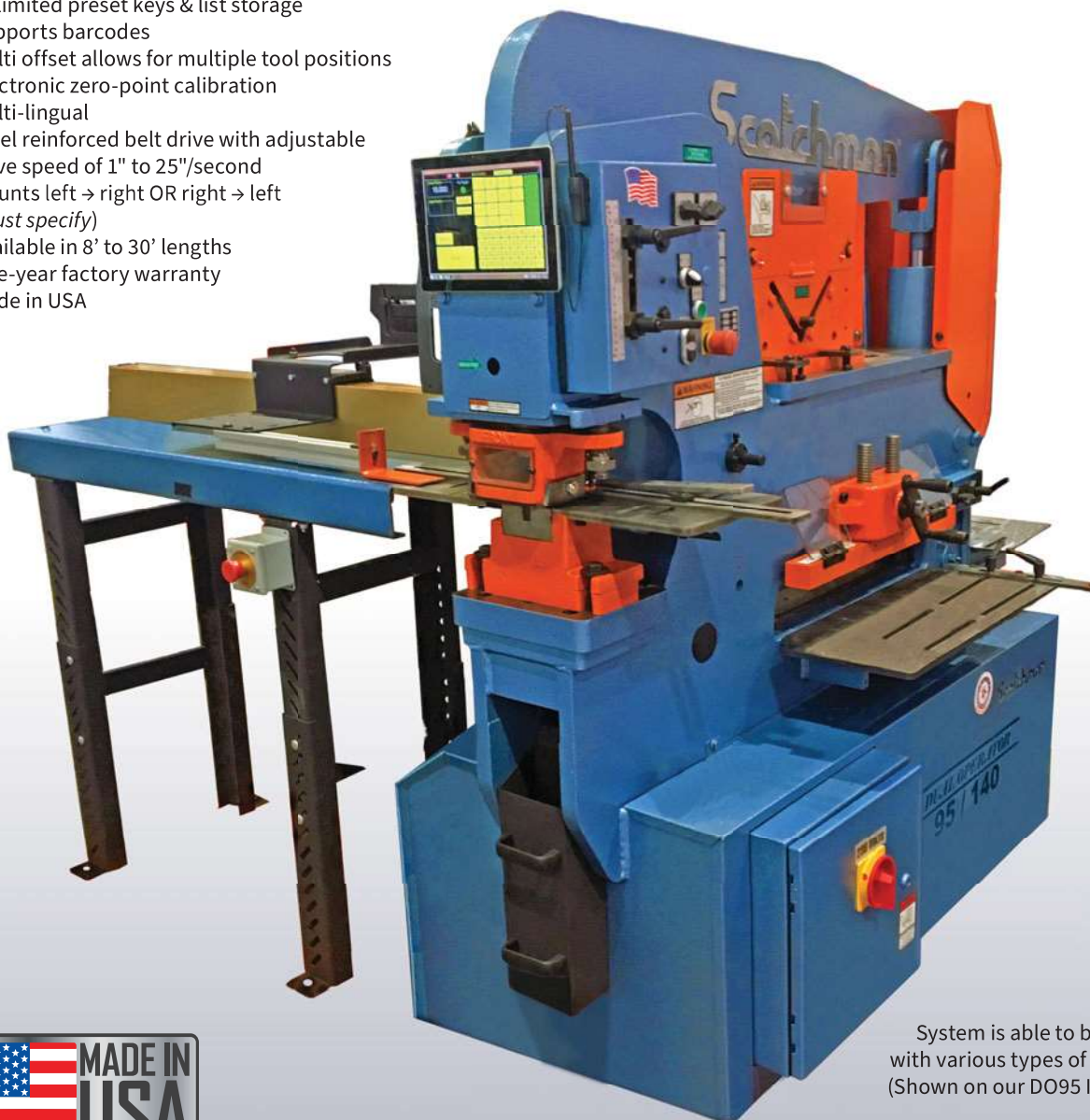
This programmable measuring system eliminates operator error and is easily programmed to measure length or has the ability to push material to a desired length. Simply enter a part length and the stop will advance to that position quickly and accurately. This Stop/Pusher System can move one length at a time or be programmed with a series of lengths and quantities for faster operation.

### FEATURES

- Positioner accuracy  $\pm 0.008$ "
- 17" Screen – Windows® touchscreen technology
- Works in inches, fractions, decimals, or metric
- Fraction keys work as the "go" key
- Unlimited preset keys & list storage
- Supports barcodes
- Multi offset allows for multiple tool positions
- Electronic zero-point calibration
- Multi-lingual
- Steel reinforced belt drive with adjustable drive speed of 1" to 25"/second
- Mounts left → right OR right → left (*must specify*)
- Available in 8' to 30' lengths
- One-year factory warranty
- Made in USA

### STOP/PUSHER FUNCTIONS

- Auto Pusher Mode
- Batch Mode
- Incremental Mode
- Set Point Mode



System is able to be paired with various types of equipment (Shown on our DO95 Ironworker)



# Measuring *Full-Auto*

## FULLY-AUTOMATED Auto Feed System (AFS)

### Fully automatic material feed system

Turn your semi-automatic saw into a fully-automatic production machine. The Advanced Feed System (AFS) will cut production time in half, virtually eliminating set-up time! Now, operators no longer need to use a tape measure or set and adjust manual stops. Pairs with Scotchman's CPO 350 PKPD & SUP series saws.



#### FEATURES

- System accuracy  $\pm 0.015''$
- 17" Screen – Windows® touchscreen technology
- Intuitive interface
- Works in inches, fractions, decimals, or metric
- Fraction keys work as the “go” key
- Unlimited storage space to save cut jobs
- Able to switch between stop mode & pusher mode
- Capable of miter cutting in semi-auto mode
- Supports barcodes
- Multi offset allows for multiple tool positions
- Downloading of cut lists via built-in wireless networking or through USB drive
- Multi-lingual
- Carriage rides on linear bearing system
- Planetary gear head, near zero backlash
- Mounts left → right OR right → left  
(*must specify*)
- Available in 8' to 30' lengths
- One-year factory warranty
- Made in USA

#### AUTOMATIC SEQUENCES

- Push stock to cut length
- Consider blade kerf
- Clamp the material
- Trigger the cut cycle
- Release the clamp
- Index to the next cut position & repeat!

#### AUTO FEED FUNCTIONS

- Auto Pusher Mode
- Batch Mode
- Incremental Mode
- Set Point Mode
- Auto List (Optimizing)

