

HE&M Dual Column: DC22HA-CTS

Capacity: 22" W x 22" H • Blade: 2" x 21'0" x .063" • Motor: 10 HP
Hydraulics: 10 HP • Bar-feed: 0-24" Stroke Hydraulic Cylinder (Multiple Index)



Standard Features

- Swing-Away Console w/ Touch Screen Controls
- Computer Controlled Feed System
- 24" Solid Discharge Table
- Full-Stroking Split Main Vise
- Adjustable Cutting Force & Feed Rate
- Carbide Blade Guides
- Lead In/Lead Out Roller Guides
- Cut Watcher® System
- Guide Arm Moves in Conjunction w/ Main Vise
- Adjustable Blade Speed w/ Touch Screen Readout
- Variable Frequency Controller
- Blade Brush
- Powered Blade Tension
- Chip Auger System
- Flood Coolant System w/ Wash-Down Hose
- Safety Lockout Key
- Broken Blade & Out of Stock Indicators

220V/440V/3PH Electrical Motor Requirement



Optional Features

- 0-48" Stroke Servo Twin Ball-Screw Bar-Feed
- 0-120" Stroke Servo Twin Ball-Screw Bar-Feed
- Hydraulic Computer Controlled Traverse (HCCT)
- 24" Roller Discharge Table (In Lieu of Solid)
- Full Capacity Top Clamp – Main or Feed Vise
- Full Capacity Top Clamp – Outboard Vise
- 3rd Vise on Feed
- Outboard Powered Vise on Discharge
- Laser Light System
- Spray Mist Lubrication
- Optional Consoles
- Idle or Powered Roller Stock Tables

HE&M[®] SAW
— The saw that cuts straight. —

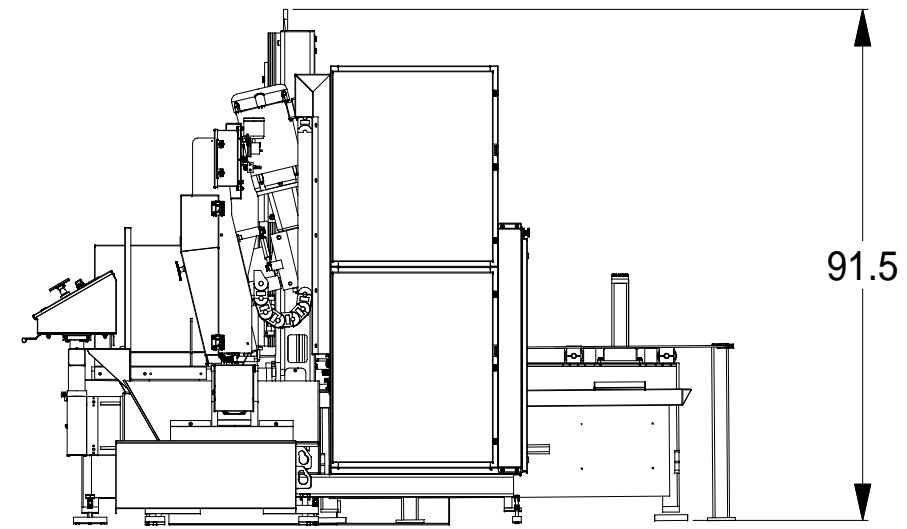
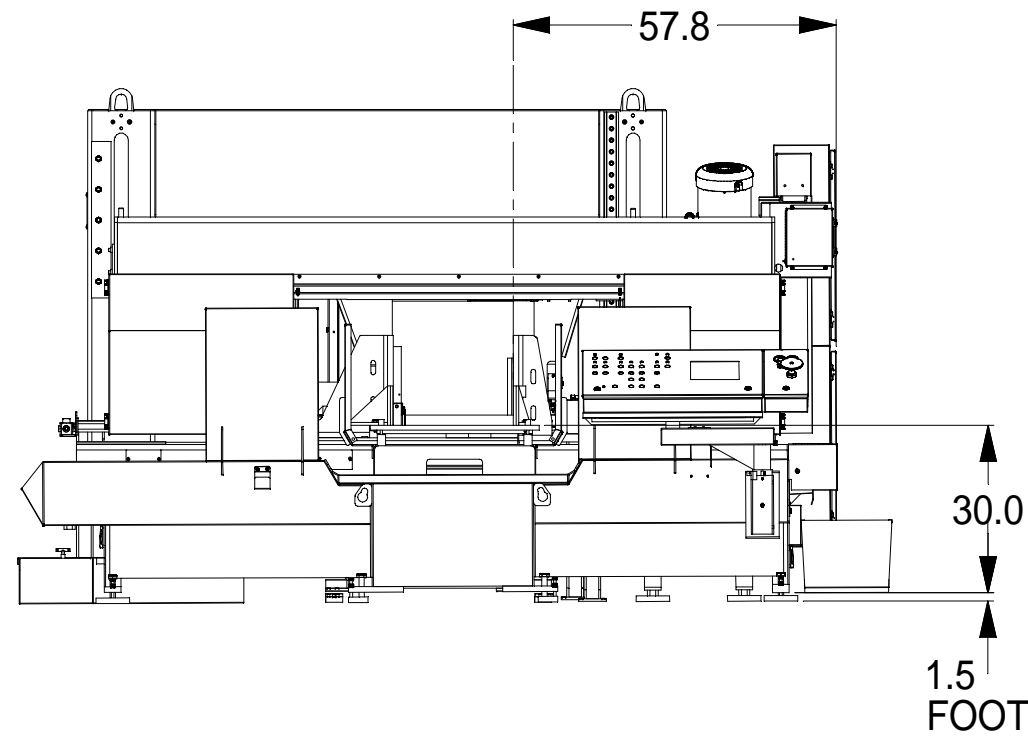
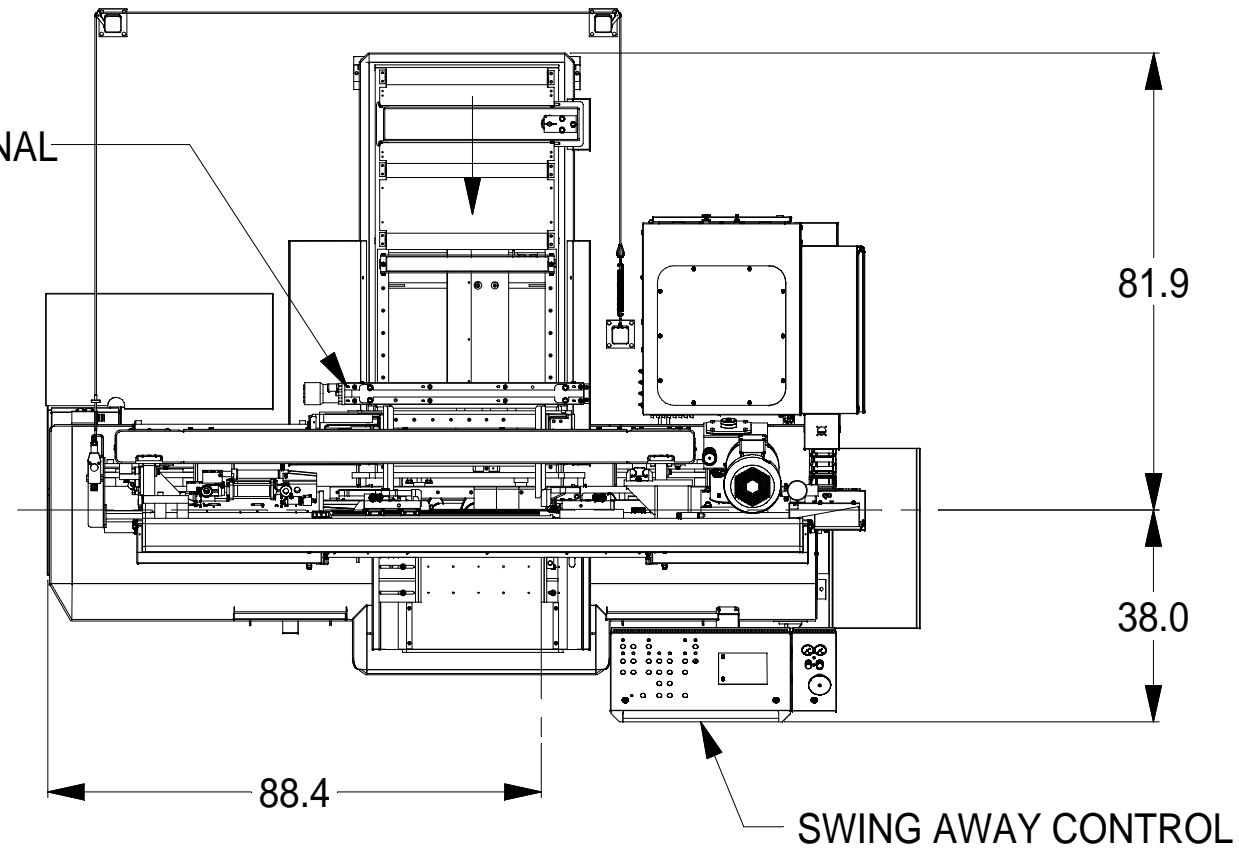
www.hemsaw.com

Address: P.O. Box 1148 Pryor OK 74362 • **Toll Free:** 888-729-7787 • **Email:** info@hemsaw.com

HE&M, Inc., whose policy is one of continuous improvement, reserves the right to change the price, specifications, or design, as well as discontinue any model, at any time without notice and without incurring any obligations. Dimensions may vary. Please contact HE&M, Inc. for a certified dimensional drawing of your specific model.
Copyright 112800 HE&M, Inc. All rights reserved.

NOTE: HEM INC. WHOSE POLICY IS ONE OF CONTINUOUS IMPROVEMENTS,
 RESERVES THE RIGHT TO CHANGE SPECIFICATIONS, PRICE OR DESIGN
 AT ANY TIME WITHOUT NOTICE AND WITHOUT INCURRING OBLIGATIONS
 ALL DIMENSIONS +/- 1.00"

SHOWN WITH OPTIONAL
 TOP CLAMP



HEM , INC. MID-AMERICA INDUSTRIAL DISTRICT P.O. BOX 1148 PRYOR, OK 74361
LAYOUT
DC22HA-CTS - 24" FHC
B-006516-722 A